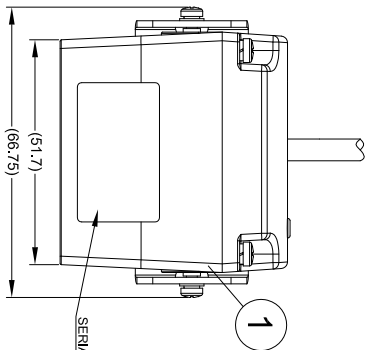
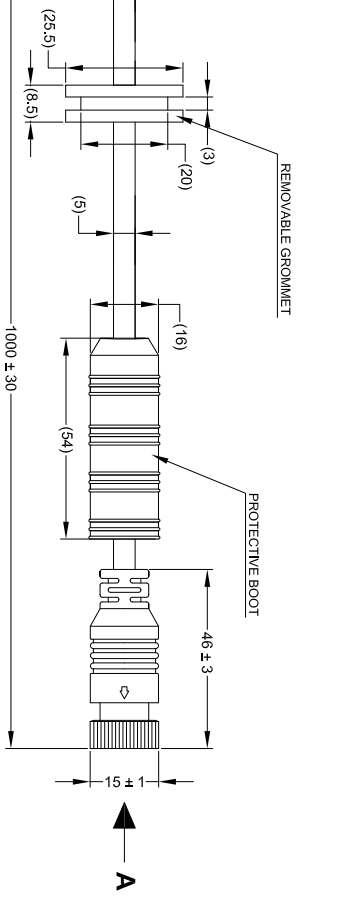
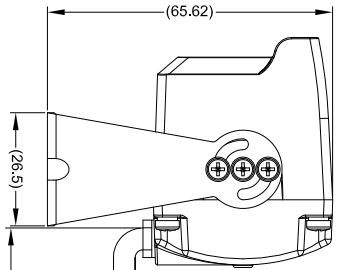
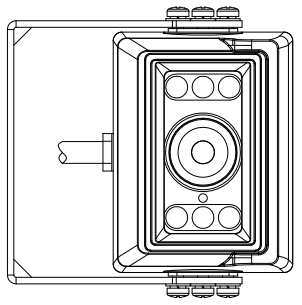
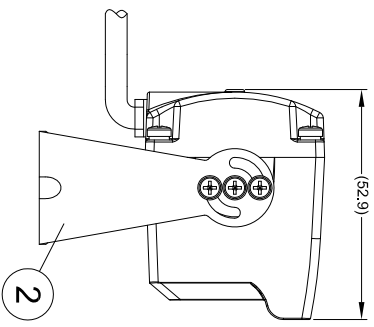


Revision Notes	
R1 -	
AP: A -	Drawn -
	Checked -
	Approved -
	Date -

ITEM	PART NO.	QTY	MODEL / DESCRIPTION
①	(3889A)	1	VBV-620C-C CAMERA ONLY
②	(3889A)	1	VBV-620C-SRT CAMERA BRACKET
③	(3889A)	1	VBV-620C-SRT CAMERA BRACKET
④	(3889A)	1	VBV-620C-IG INSTALLATION GUIDE (NOT SHOWN)

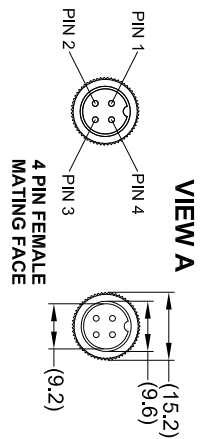
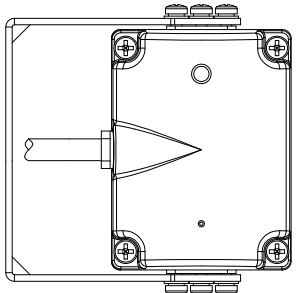
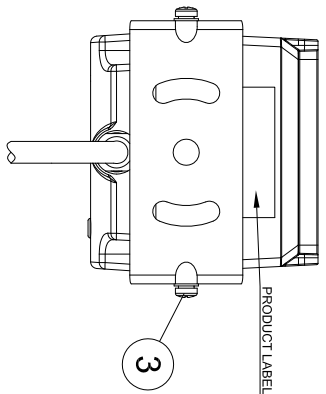
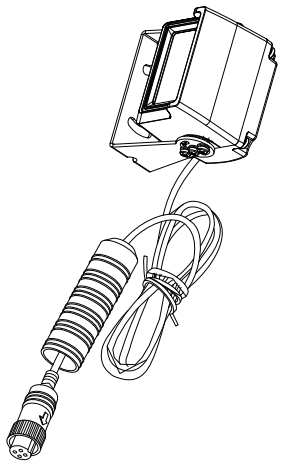


SERIAL NUMBER LABEL LOCATION



REMOVABLE GROMMET

PROTECTIVE BOOT



PIN #	WIRE COLOUR	DESCRIPTION
1	RED	+12V
2	BLACK/SHEILD	GND
3	WHITE	GND
4	YELLOW	VIDEO

- NOTES:
1. REFER TO PRODUCT SPECIFICATIONS FOR PRODUCT SPECIFICATIONS.
  2. REFER TO COMPONENT DRAWINGS FOR COMPONENT DETAILS.
  3. FOR GIFTBOX LABEL REFER TO LATEST REVISION OF DRAWING BE-003021-XX-14.
  4. FOR GIFTBOX SERIAL NUMBER LABEL, REFER TO LATEST REVISION OF DRAWING BE-001323-XX-14.
  5. PURCHASE ORDER TO DEFINE PACKAGING VARIANT.
  6. FOR PACKAGING REFER TO LATEST REVISION OF DRAWING BE-002761-XX-14.

**PROPRIETARY NOTICE**  
 THIS DESIGN AND TECHNICAL INFORMATION APPEARING ON THIS DRAWING IS THE PROPERTY OF BRIGADE ELECTRONICS, AND IS DISCLOSED IN CONFIDENCE. IT IS NOT TO BE COPIED, REPRODUCED, REVEALED TO OR EXPLOITED BY OTHERS, EITHER IN WHOLE OR IN PART WITHOUT THE EXPRESS WRITTEN CONSENT OF BRIGADE ELECTRONICS.

**BRIGADE®**  
 www.brigade-electronics.com

<p>Third Angle</p>	<p>Assembly Pl Approval</p> <p>YILING ZHANG(27/02/15)</p>	<p>Approved by</p> <p>B. JOHN</p>	<p>Checked by</p> <p>RBATES</p>	<p>Drawn by</p> <p>M BUTLER</p>
	<p>Angle of Projection</p>	<p>Units</p> <p>mm</p>	<p>Scale</p> <p>N/A</p>	<p>Released</p> <p>27/02/15</p>
<p>Status</p> <p>RELEASED</p>	<p>Part No</p> <p>3689A</p>	<p>Released</p> <p>27/02/15</p>	<p>Released</p> <p>27/02/15</p>	<p>Assembly Ref</p> <p>VBV-620C</p>

